

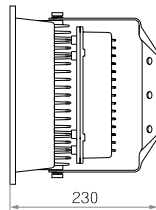
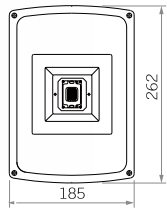
Flood Light LED

POPE

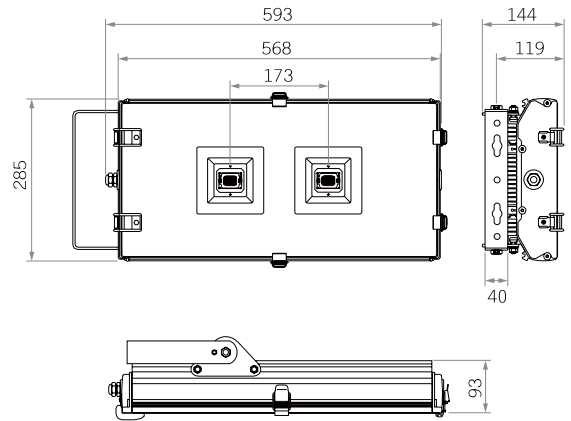
Power Supply Efficiency: >88%,
Power Factor: >0.95
Ambient Temperature: -40~55°C
Input Voltage: AC85~256V 50~60Hz
Color Temperature: 2700~10000K
IP65
Color Rendering Index(Ra): >70
Life: 50000hours
Lumen Output: 80~140lm/W



■ SN

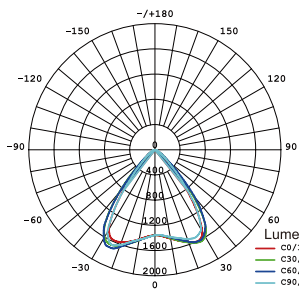


■ DN

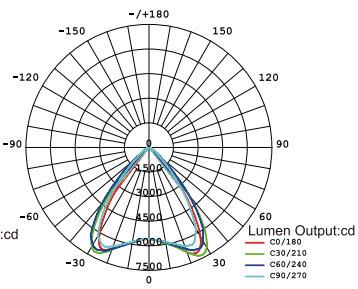


Lighting Distribution Curve

Materials



■ SN



■ DN

High purity aluminium housing; high intensity tempered glass cover; vacuum coating refl ector; high power LED light source; high efficiency LED driver.

Application:

Factories, gyms, docks, billboards, buildings, lawns, garden designs and other places where flood light and decoration lighting are needed.

Code	Type	LED Power	Input Voltage	Lumen Output	Lighting Angle	kg
io-101039	SN	10~40W	AC85~256V	80~140lm/W	70°	3.3
io-101040	DN	80~140W	AC85~256V	80~140lm/W	70°	11.2