

Flood Light 18W LED

ZENX



RD type



SJ type



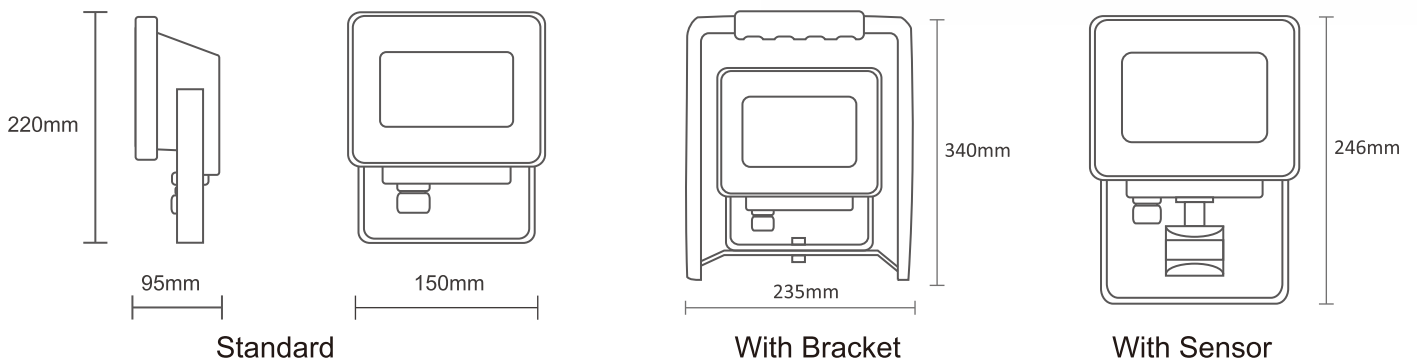
RJ type

Input Voltage:AC85V-265V~ 50/60Hz
 Lumen Output:1400lm
 LED Chip:EPISTAR
 Color Rendering Index(Ra):>80
 LED Color Temperature(CCT):3000K/4000K/6500K
 Working Temperature:-40℃~40℃
 Life time:30 000 hours

IP65
 IP44 For Sensor Lamps
 Available with Bracket, Infrared Sensor(120°/180°)
 Tempered glasses
 Aluminium die-casting body
 Color of body: Available



SD type



Code	Model	Type	Packing Info.	Code	Model	Type	Packing Info.
io-101022	Standard		12pcs,60*40*29cm,16.5kg	io-101028	Standard		12pcs,60*40*29cm,16.5kg
io-101023	W/ Sensor	SD	12pcs,65*58*31cm,17.7kg	io-101029	W/ Sensor	SJ	12pcs,65*58*31cm,17.7kg
io-101024	W/ Bracket		12pcs,58*49*26cm,14.5kg	io-101030	W/ Bracket		12pcs,58*49*26cm,14.5kg
io-101025	Standard		12pcs,60*40*29cm,16.5kg	io-101031	Standard		12pcs,60*40*29cm,16.5kg
io-101026	W/ Sensor	RD	12pcs,65*58*31cm,17.7kg	io-101032	W/ Sensor	RJ	12pcs,65*58*31cm,17.7kg
io-101027	W/ Bracket		12pcs,58*49*26cm,14.5kg	io-101033	W/ Bracket		12pcs,58*49*26cm,14.5kg