

# Panel Light LED

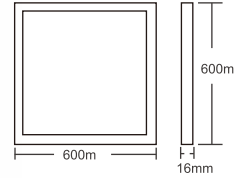
## LARKIN



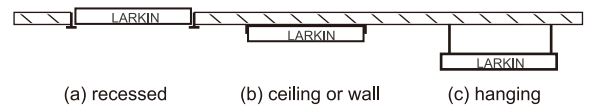
All sides are lined with LED's to grant optimal illumination.  
 High light output at a reduced energy consumption of up to 50%.  
 Over 40000 hours life expectancy. Wide angle of deflection with even light distribution.

No start-up delay, no flickering, no humming.  
 High efficiency (95%) constant current driver with built-in overheat protection that remains stable at a wide range of input voltages.  
 Independent LED circuit design prevents complete blackout in case an LED fails.

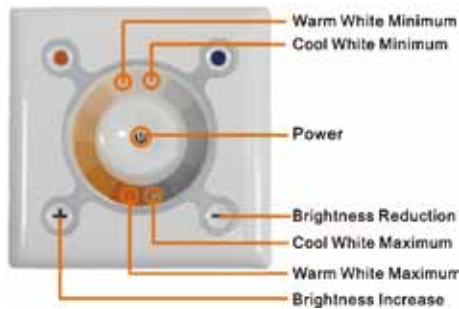
Causes no electromagnetic interference.  
 Operating Temperature: -20°C to +40°C  
 Humidity Operating: 10-80%,  
 Product weight: 6.1kg



3-Way Installation: (Installation accessory provided.)

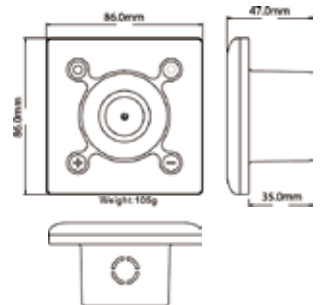


### Square Touch Interface Controller

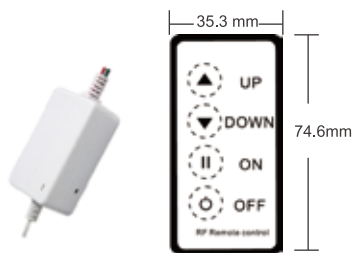


Used for Color Temperature & Brightness control for dimmable LED Lights. Direct setting of each warm white and cool white independently.

Input voltage: DC 24V;  
 Output channel: 2 channel,  
 Output current: 2A,  
 Output type: common anode.

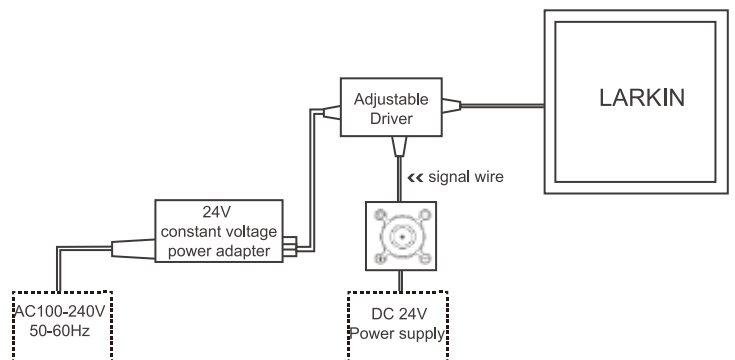


### LED Mini Remote Controller



Used for Brightness control for the LED lights. It can change brightness. Power-loss memory recovery function, adjust brightness.  
 Max working distance: 20 meters.

### Electrical connection



Code	Model	Working Voltage	Rated Power	Color	LED Type	LED Q'ty	CCT	CRI	lumen	Dimmable
io-204001	LARKIN	24Vdc	0~58W	Cool white & Warm white	SMD3528	600	3000-6000K	75	0~3590lm	CCT & Brightness
io-204002	LK-CW	24Vdc	40W	Cool white	SMD3528	372	6000K	75	2500lm	No
io-204003	LK-WW	24Vdc	40W	Warm white	SMD3528	372	3000K	75	2300lm	No
io-204004	LK-D-CW	24Vdc	0~40W	Cool white	SMD3528	372	6000K	75	0~2500lm	Brightness
io-204005	LKD-W	24Vdc	0~40W	Natural white	SMD3528	372	4000K	75	0~2400lm	Brightness