

Downlight LED

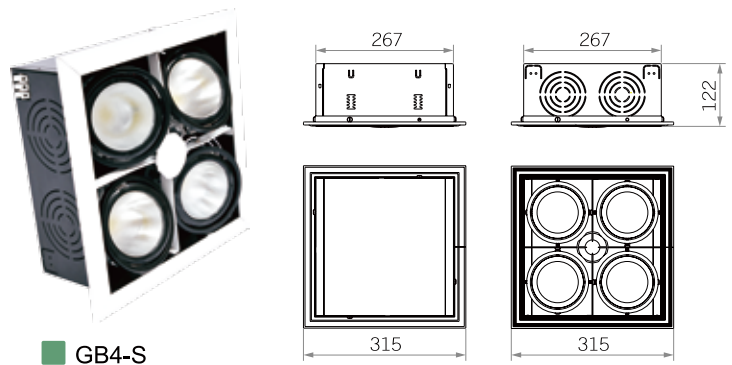
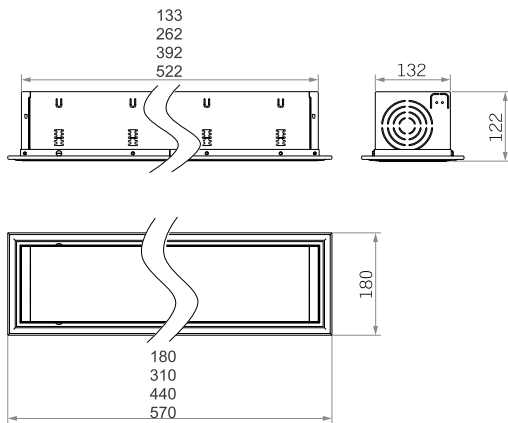
GINSBERG



Voltage:AC85-265V
Color Temperature:2700-7000K
RA:≥85
Swing Angle:X Axis <15 ° ,Y Axis <15°
IP20
Ambient Temperature:-40 ℃-40 ℃
Life:50000hours

Materials:
High-strength aluminum alloy housing, high purity aluminum heat sink, vacuum coating reflector, high-power integrated encapsulated LED light source, high efficiency LED driver, high strength tempered woven glass.

Application:
General lighting, decorative lighting, supplementary lighting for show centers, malls, stores, hospitals, banks and other public lighting.



■ GB4-S

Code	model	LED Power(W)	lm/W	Power Supply Efficiency	Power Factor	Weight(kg)
io-203018	GB1	8	80-110	>80%	>0.7	0.85
io-203019		16	80-110	>82%	>0.9	0.85
io-203020	GB2	16	80-110	>80%	>0.7	1.64
io-203021		32	80-110	>82%	>0.9	1.64
io-203022	GB3	24	80-110	>80%	>0.7	2.44
io-203023		48	80-110	>82%	>0.9	2.44
io-203024	GB4-L	32	80-110	>80%	>0.7	3.11
io-203025		64	80-110	>82%	>0.9	3.11
io-203026	GB4-S	32	80-110	>80%	>0.7	3.11
io-203027		64	80-110	>82%	>0.9	3.11