

Ceiling Light LED

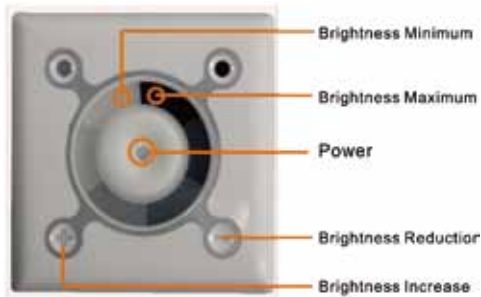
YEATS



Enclosure material: Die-casting,
Power factor > 0.95,
Saving energy: 50%,
Long lifespan: 40,000Hrs,
Reflector: milk color PMMA
Working voltage: 100-240Vac/50-60Hz, No UV, no IR
Standard warranty: 3 years
IP 43, CE, RoHS.

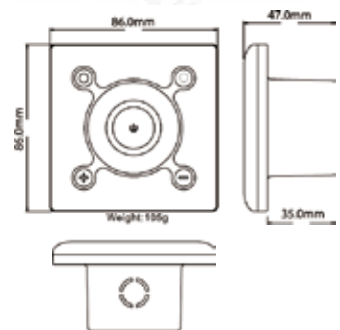


Square Touch Interface Controller

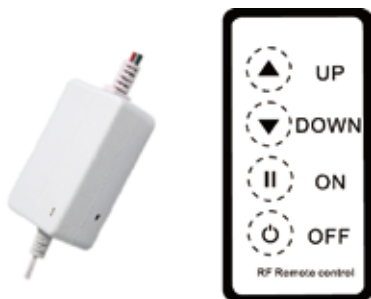


Used for Brightness control for the LED lights, power-loss memory recovery control, touch surface for brightness control.

Input voltage: DC24V;
Output channel: 1 channel,
Output current: 1A,
Output type: common anode.

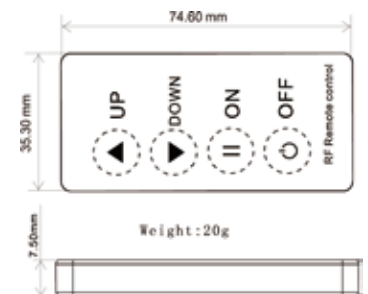


LED Mini Remote Controller

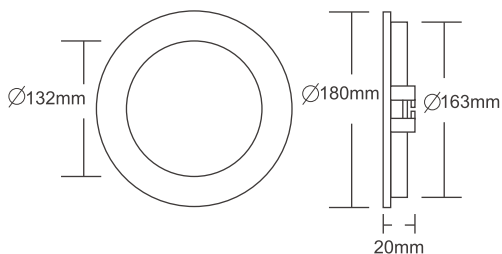


Used for Brightness control for the LED lights. It can change brightness, power-loss memory recovery function, adjust brightness.
Max working distance: 20 meters.

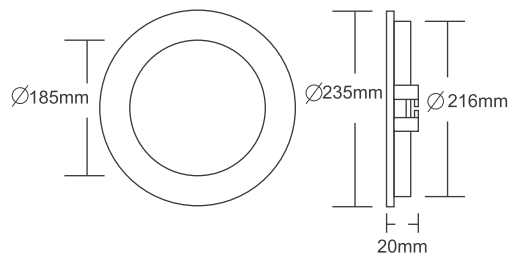
Battery rated voltage: 3V,
Battery rated current: 0.2mA,
Battery life time: 20000 times,
Battery size: Dia 20X3mm,
Battery capacity: 40mAh.



11W



14W



Code	Model	Working Voltage	Rated Power	Color	LED Type	LED Q'ty	CCT	CRI	lumen	Weight
io-203001	YT11-CW	100-240Vac	11W	Cool white	SMD3528	108	5700K	75	664lm	515g
io-203002	YT11-WW	100-240Vac	11W	Warm white	SMD3528	108	2850K	75	641lm	515g
io-203003	YT11-W	100-240Vac	11W	White	SMD3528	108	4000K	75	646lm	515g
io-203004	YT14-CW	100-240Vac	14W	Cool white	SMD3528	138	5700K	75	950lm	660g
io-203005	YT14-CW	100-240Vac	14W	Warm white	SMD3528	138	2850K	75	900lm	660g
io-203006	YT14-W	100-240Vac	14W	White	SMD3528	138	4000K	75	925lm	660g