

Flood Light 10W LED

ZENM



SD type



RD type



SJ type



RJ type

Input Voltage:AC85V-265V~ 50/60Hz

Lumen Output:720lm

LED Chip:EPSTAR

Color Rendering Index(Ra):> 80

LED Color Temperature(CCT):3000K/4000K/6500K

Working Temperature:-40 °C ~40 °C

Life time:30 000 hours

IP65

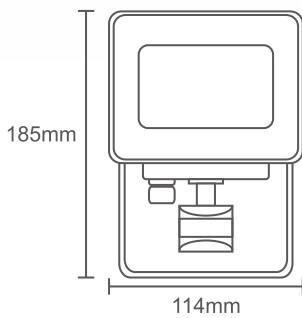
IP44 For Sensor Lamps

Available with Bracket, Infrared Sensor(120°/180°)

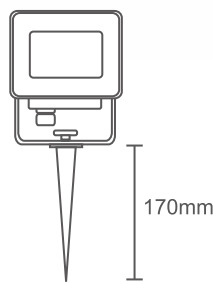
Tempered glasses

Aluminium die-casting body

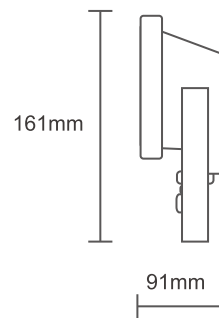
Color of body: Available



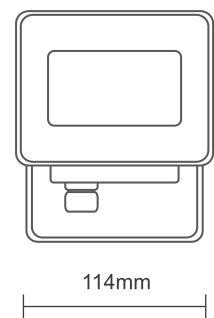
With Sensor



With Fork



Standard



Code	Model	Type	Packing Info.	Code	Model	Type	Packing Info.
io-101010	Standard		16pcs,67*31*26cm,13.8kg	io-101016	Standard		16pcs,67*31*26cm,13.8kg
io-101011	W/ Sensor	SD	16pcs,69*53*32cm,15.5kg	io-101017	W/ Sensor	SJ	16pcs,69*53*32cm,15.5kg
io-101012	W/ Fork		16pcs,58*36*38cm,18.0kg	io-101018	W/ Fork		16pcs,58*36*38cm,18.0kg
io-101013	Standard		16pcs,67*31*26cm,13.8kg	io-101019	Standard		16pcs,67*31*26cm,13.8kg
io-101014	W/ Sensor	RD	16pcs,69*53*32cm,15.5kg	io-101020	W/ Sensor	RJ	16pcs,69*53*32cm,15.5kg
io-101015	W/ Fork		16pcs,58*36*38cm,18.0kg	io-101021	W/ Fork		16pcs,58*36*38cm,18.0kg